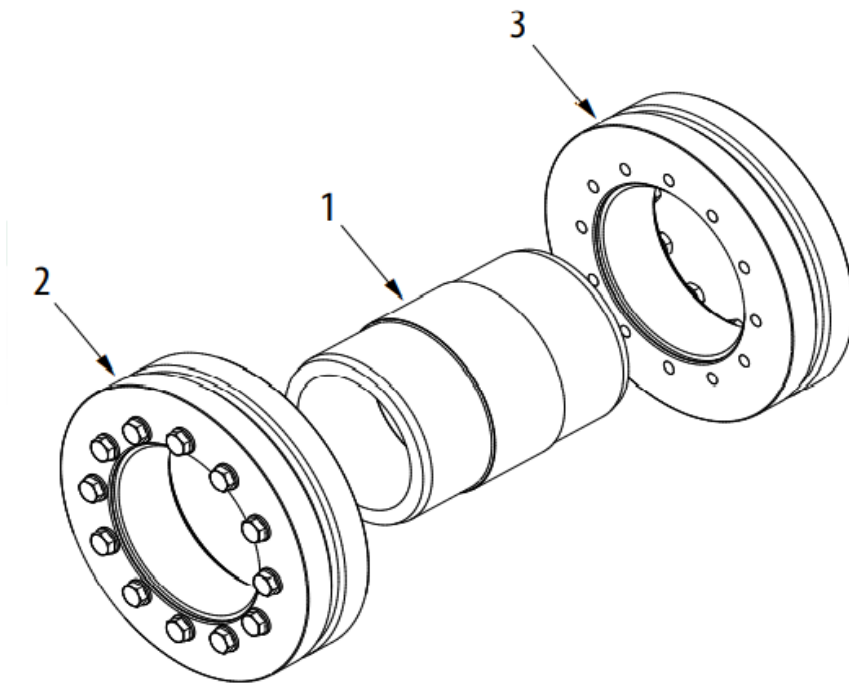


Used symbols (使用される記号)

dw [mm]	Shaft diameter (軸径)
Mmax [Nm]	max.transmittable torque at Fax=0 (軸力=0における最大伝達可能なトルク)
Fax [kN]	max.transmittable axial force at Mt=0 (Mt=0における最大伝達可能軸力)
D [mm]	Outer diameter of coupling (カップリング外形)
L [mm]	Length of sleeve (スリーブの長さ)
A [mm]	Pitch circle diameter of bolting (ボルト配列のPCD)
MA	Required tightening torque of clamping screws (ボルトの締め付けトルク)
Z	Number of screws (ボルト本数)
S	Size of screws (ボルトサイズ)
Pw [N/mm ²]	Average contact pressure on the shaft (規定トルクで締め付けた時に発生する、軸側の平均面圧)

Design of the disc (ディスクのデザイン)

- d < 70 Discs galvanized (径が70mm未満は、外輪亜鉛メッキ without washers ワッシャなし)
 - d ≥ 70 Disc spainted (径が70mm以上は、外輪 塗装 with washers ワッシャあり)
- (dは、WKに続く3桁の数字)



Pos.	Designation
1	Sleeve
2	Shrink Disc
3	Shrink Disc

Ordering example: TAS WK-Typ/d/D (e.g: TAS WK 240/150/200 ... further sizes on request)

《寸法性能表》

Type	dw	Mmax	Fax	D	L	A	MA	Z	S			Pw	Weight
mm	mm	Nm	kN	mm	mm	mm	Nm	Pcs.		DIN	Class	N/mm ²	Kg
WK024	19	250	26	50	50	36	6	6	M5	933	10.9	235	0.7
WK024	20	300	30	50	50	36	6	6	M5	933	10.9	254	0.7
WK024	21	360	34	50	50	36	6	6	M5	933	10.9	273	0.7
WK030	24	310	26	60	55	44	6	6	M5	933	10.9	159	1
WK030	25	360	29	60	55	44	6	6	M5	933	10.9	171	1
WK030	26	420	32	60	55	44	6	6	M5	933	10.9	183	1
WK036	28	500	36	72	65	52	12	5	M6	933	10.9	169	1.3
WK036	30	640	43	72	65	52	12	5	M6	933	10.9	186	1.3
WK036	31	690	45	72	65	52	12	5	M6	933	10.9	189	1.3
WK044	34	880	52	80	70	61	12	7	M6	933	10.9	178	2
WK044	35	970	55	80	70	61	12	7	M6	933	10.9	185	2
WK044	36	1000	56	80	70	61	12	7	M6	933	10.9	192	2
WK050	38	1000	53	90	80	70	12	8	M6	931	10.9	161	2.5
WK050	40	1200	60	90	80	70	12	8	M6	931	10.9	172	2.5
WK050	42	1500	71	90	80	70	12	8	M6	931	10.9	182	2.5
WK055	42	1200	57	100	85	75	12	8	M6	931	10.9	139	3.5
WK055	45	1500	67	100	85	75	12	8	M6	931	10.9	152	3.5
WK055	48	1800	75	100	85	75	12	8	M6	931	10.9	164	3.5
WK062	48	1900	79	110	90	86	12	10	M6	931	10.9	168	4
WK062	50	2100	84	110	90	86	12	10	M6	931	10.9	174	4
WK062	52	2200	85	110	90	86	12	10	M6	931	10.9	171	4
WK068	50	1700	68	115	100	86	12	10	M6	931	10.9	145	4.5
WK068	55	2200	80	115	100	86	12	10	M6	931	10.9	148	4.5
WK068	60	2900	97	115	100	86	12	10	M6	931	10.9	166	4.5
WK075	55	2800	102	138	120	100	30	7	M8	931	10.9	175	5
WK075	60	3600	120	138	120	100	30	7	M8	931	10.9	192	5
WK075	65	4600	142	138	120	100	30	7	M8	931	10.9	207	5
WK080	60	3200	107	145	130	100	30	7	M8	931	10.9	168	6
WK080	65	4100	126	145	130	100	30	7	M8	931	10.9	182	6
WK080	70	5100	146	145	130	100	30	7	M8	931	10.9	195	6
WK090	65	4900	151	155	140	114	30	10	M8	931	10.9	181	11
WK090	70	6000	171	155	140	114	30	10	M8	931	10.9	192	11
WK090	75	7300	195	155	140	114	30	10	M8	931	10.9	203	11
WK100	70	6000	171	170	160	124	30	12	M8	931	10.9	170	15
WK100	75	7300	195	170	160	124	30	12	M8	931	10.9	180	15
WK100	80	8800	220	170	160	124	30	12	M8	931	10.9	189	15
WK110	75	7400	197	185	180	136	59	9	M10	931	10.9	159	19
WK110	80	8900	223	185	180	136	59	9	M10	931	10.9	168	19
WK110	85	10300	242	185	180	136	59	9	M10	931	10.9	171	19
WK125	85	11100	261	215	200	160	59	12	M10	931	10.9	172	26
WK125	90	13100	291	215	200	160	59	12	M10	931	10.9	180	26
WK125	95	15200	320	215	200	160	59	12	M10	931	10.9	188	26
WK140	95	15500	326	230	210	175	100	10	M12	931	10.9	175	34
WK140	100	17900	358	230	210	175	100	10	M12	931	10.9	182	34
WK140	105	20400	389	230	210	175	100	10	M12	931	10.9	188	34
WK155	105	21100	402	265	230	192	100	12	M12	931	10.9	179	50
WK155	110	23900	435	265	230	192	100	12	M12	931	10.9	185	50
WK155	115	26900	468	265	230	192	100	12	M12	931	10.9	190	50
WK165	115	34800	605	290	240	210	250	8	M16	931	10.9	219	65
WK165	120	38700	645	290	240	210	250	8	M16	931	10.9	224	65
WK165	125	42300	677	290	240	210	250	8	M16	931	10.9	226	65
WK175	125	38600	618	300	250	220	250	8	M16	931	10.9	206	68
WK175	130	42600	655	300	250	220	250	8	M16	931	10.9	211	68
WK175	135	46900	695	300	250	220	250	8	M16	931	10.9	215	68

(次ページに続く)

Type	dw	Mmax	Fax	D	L	A	MA	Z	S			Pw	Weight
mm	mm	Nm	kN	mm	mm	mm	Nm	Pcs.		DIN	Class	N/mm ²	Kg
WK185	135	53700	796	330	265	236	250	10	M16	931	10.9	194	100
WK185	140	59000	843	330	265	236	250	10	M16	931	10.9	198	100
WK185	145	64400	888	330	265	236	250	10	M16	931	10.9	202	100
WK195	140	67200	960	350	280	246	250	12	M16	931	10.9	226	110
WK195	150	79500	1060	350	280	246	250	12	M16	931	10.9	233	110
WK195	155	84800	1094	350	280	246	250	12	M16	931	10.9	232	110
WK200	150	76700	1023	350	290	246	250	12	M16	931	10.9	224	125
WK200	155	81700	1054	350	290	246	250	12	M16	931	10.9	224	125
WK200	160	88400	1105	350	290	246	250	12	M16	931	10.9	227	125
WK220	160	95800	1198	370	310	270	250	15	M16	931	10.9	199	155
WK220	165	103000	1248	370	310	270	250	15	M16	931	10.9	202	155
WK220	170	111000	1306	370	310	270	250	15	M16	931	10.9	205	155
WK240	170	126000	1482	405	350	295	490	12	M20	931	10.9	221	190
WK240	180	144000	1600	405	350	295	490	12	M20	931	10.9	227	190
WK240	190	163000	1716	405	350	295	490	12	M20	931	10.9	230	190
WK260	190	170000	1789	430	390	321	490	14	M20	931	10.9	214	240
WK260	200	193000	1930	430	390	321	490	14	M20	931	10.9	219	240
WK260	210	217000	2067	430	390	321	490	14	M20	931	10.9	224	240
WK280	210	224000	2133	460	430	346	490	16	M20	931	10.9	209	290
WK280	220	251000	2282	460	430	346	490	16	M20	931	10.9	213	290
WK280	230	280000	2435	460	430	346	490	16	M20	931	10.9	217	290
WK300	230	287000	2496	485	445	364	490	18	M20	931	10.9	208	340
WK300	240	318000	2650	485	445	364	490	18	M20	931	10.9	211	340
WK300	245	334000	2727	485	445	364	490	18	M20	931	10.9	213	340
WK320	240	326000	2717	520	460	386	490	20	M20	931	10.9	217	380
WK320	250	359000	2872	520	460	386	490	20	M20	931	10.9	220	380
WK320	260	391000	3008	520	460	386	490	20	M20	931	10.9	222	380
WK340	250	401000	3208	570	480	408	490	24	M20	931	10.9	224	500
WK340	260	435000	3346	570	480	408	490	24	M20	931	10.9	225	500
WK340	270	476000	3526	570	480	408	490	24	M20	931	10.9	228	500
WK350	270	456000	3378	580	490	432	490	24	M20	931	10.9	209	530
WK350	280	497000	3550	580	490	432	490	24	M20	931	10.9	212	530
WK350	285	518000	3635	580	490	432	490	24	M20	931	10.9	213	530
WK360	280	478000	3414	590	500	432	490	24	M20	931	10.9	203	550
WK360	290	519000	3579	590	500	432	490	24	M20	931	10.9	206	550
Wk360	295	541000	3668	590	500	432	490	24	M20	931	10.9	207	550